

11mm

26mm

Wire Length = 195mm

26mm

45mm

EVOLUTION
IT WAS ONLY A MATTER OF TIME

- FOUR Contact Inputs.
- PLUGGABLE 2.5mm screw terminal connections for M-Bus.
- TRIGGER on either contact closed / open / held closed / released-after-held states.
- UP TO 255 modules per M-Bus network (over 1000 inputs).
- INPUT SENSITIVITY (contact closed / held time) and de-bounce is configurable from PC software for each input.
- INPUT TYPE (normally-open / normally-closed) may be inverted in software without the need for rewiring.
- WIRE INPUTS for switch connections.
- M-BUS Power/Data Indicator LED.
- NO ADDITIONAL power supply required.
- COMPLIES with EC EMC and Low Voltage Directives CE
- TWO YEAR warranty.

TECHNICAL DATA

EVO-INT-CI-04	
Power Supply	24V DC, 20mA (from M-Bus)
Protocol	Mode Evolution M-BUS
Contact	4 x Volt free contact inputs or up to 24V DC
Switching Level	5V - 24V DC (NB. Invert state using the configuration software for non volt-free operation).

EVO-INT-CI-04	
Weight	95g
Standards	Complies with EC, EMC and Low Voltage Directives CE
Dimensions	45mm x 26mm x 11mm
Contact Input Wire Length	195mm

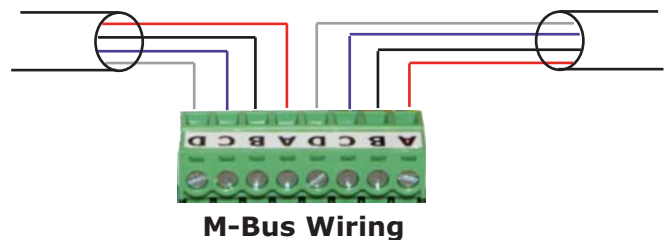
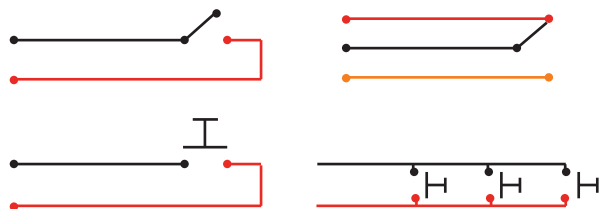
DESCRIPTION

The Evolution Contact Input Module allows connection of up to four independent volt-free contact closure inputs to trigger events on any part of the Evolution system. Inputs can be from retractive switches, push buttons, rocker switches, PIR sensors or relay outputs from security systems etc. The inputs may be used to trigger any operation in the Evolution software including "Impulse" control, or multi-step toggling operations. Triggering may be on any state: closed, opened, held-closed or released-after-being-held.

Evolution is a versatile and highly configurable architectural control system designed for both lighting and peripheral management. Evolution is uniquely adaptable, making it an ideal choice for use in a vast number of applications including modern smart homes, shopping centres, restaurants, hotels, cruise ships, boardrooms, hospitality suites and offices. System features include RS232, DMX, DSI and 1-10v controls. A built-in astronomical clock facilitates events triggered at any time of day, linked with sunrise - sunset calculations or by user definable seasons. Any input may control any output with the ability to provide operation of a sequence of events, for example, control of lighting, blind motors, commands to building management systems, colour changing etc. Unique features such as distributed intelligence make the Evolution simple to install and maintain. All Mode products are guaranteed for a two year period.

EVO-INT-CI-04

Example Switch Wiring



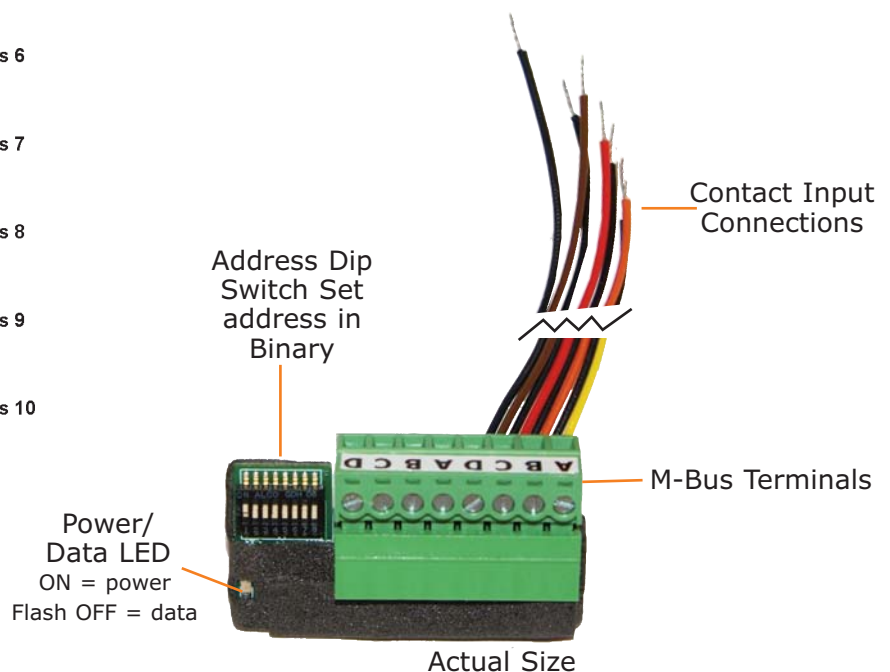
M-Bus Wiring

Recommended Cable Type: Mode M-Bus or Belden 1502R

Binary Addresses



Wire	Function
Black	Common/Switch Return
Brown	Channel 1
Red	Channel 2
Orange	Channel 3
Yellow	Channel 4



Actual Size

COMPANY SUMMARY

Mode Lighting (UK) Limited is a subsidiary of a privately owned holding company which has five associated electronics companies. Established in 1970, Mode designs and manufactures electronic products principally for the lighting industry. These include Architectural Dimming Systems, Electronic Transformers for low voltage lighting, Electronic Convertors for neon and cold cathode lighting, colour changing lighting and control systems and LED lighting systems.