

## mini-300

Part Number: LD-0300-48-MT-230-RD

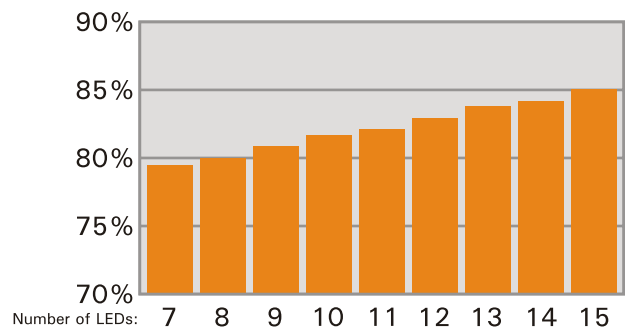
The mini-300 is part of the LEDdrive range from Mode Lighting. It is a mains dimmable constant current power supply unit designed to drive high brightness LEDs.

All LEDdrive power supplies are dimmable by both leading and trailing edge dimmers (subject to a minimum load). This model provides a constant current of 300mA with a series output voltage of 12V to 48V.

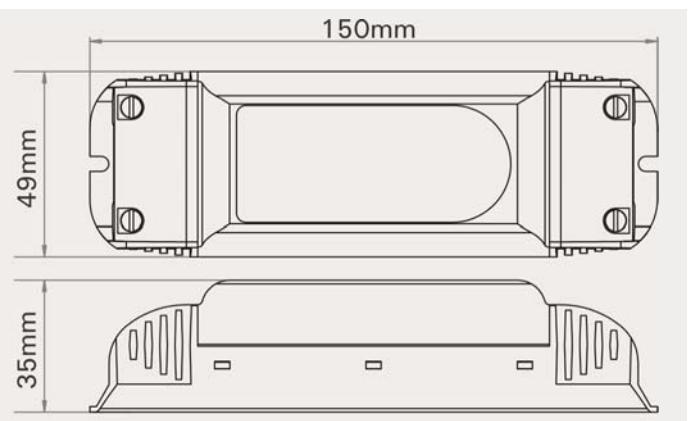
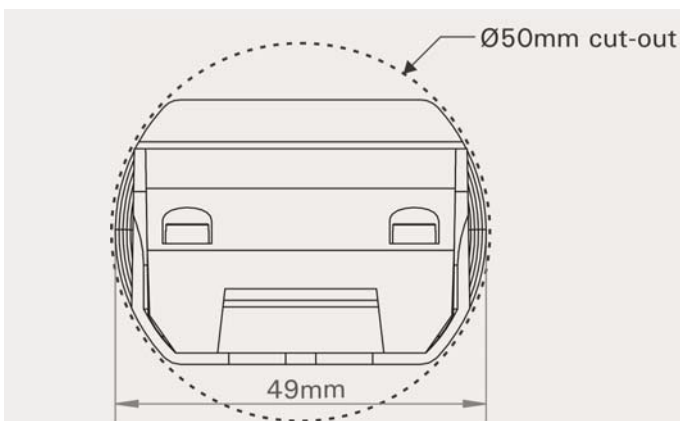
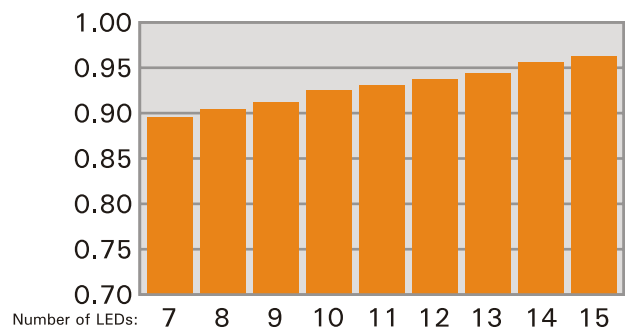


- ▶ 300mA constant current output.
- ▶ Mains dimmable by leading or trailing edge.
- ▶ High power factor.
- ▶ Short circuit and open circuit protection.
- ▶ High efficiency which ensures a cool operating temperature.
- ▶ Flame retardant moulded enclosure, UL94-V0.
- ▶ Compact size suitable for Ø 50mm cut-out.
- ▶ Five year guarantee.
- ▶ CE Compliant to EC EMC and Low Voltage directives.
- ▶ Complies with EMC harmonics standard, voltage fluctuation standard, emission standard and immunity standard.
- ▶ Complies with EN 61347-2-13 electrical safety standard.
- ▶ Low audible noise throughout the dimming range.

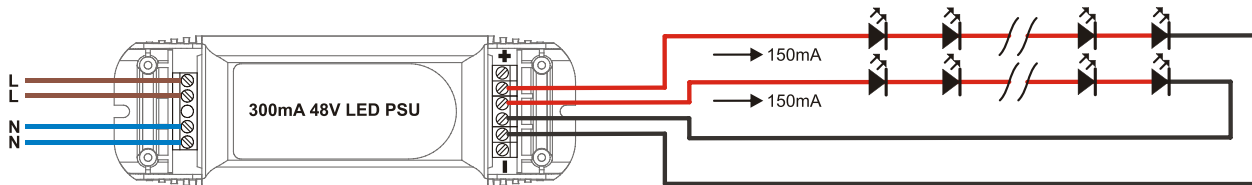
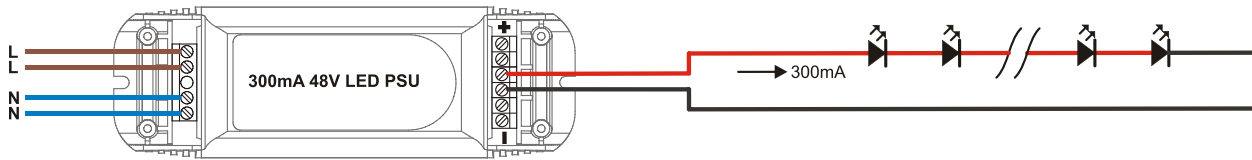
### Efficiency



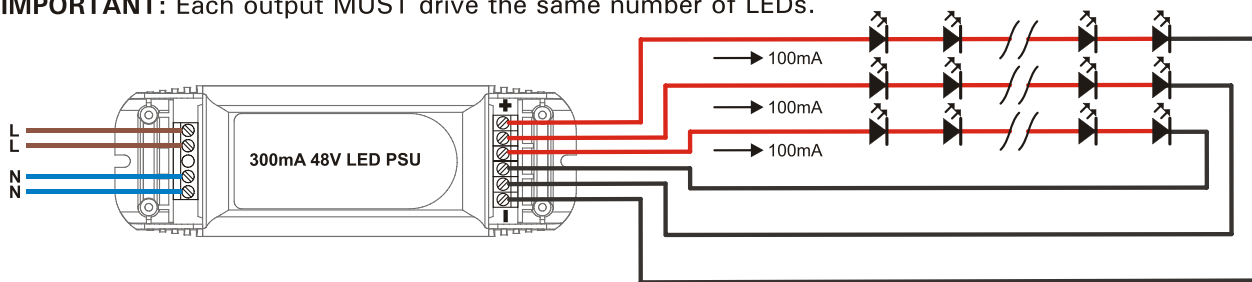
### Power Factor



## Wiring Diagrams



**IMPORTANT:** Each output MUST drive the same number of LEDs.



**IMPORTANT:** Each output MUST drive the same number of LEDs.

## Technical Specification: LD-0300-48-MT-230-RD

<b>Mains Input Voltage</b>	230 Volt +/- 10% 50/60Hz
<b>Mains Input Current</b>	0.1 Amp Maximum
<b>Input Connections</b>	2 x Live, 2 x Neutral Screw Terminals for 0.5 to 2.5mm <sup>2</sup>
<b>Power Factor at Full Load</b>	0.96 Typical
<b>Efficiency at Full Load</b>	85% Typical
<b>Mains Protection</b>	4KV Fast Transient, 2KV Surge
<b>Input-Output Isolation</b>	Double Insulated, 4KV AC RMS
<b>Ambient Temperature (Ta)</b>	45°C Maximum
<b>Case Temperature (Tc)</b>	80°C Maximum
<b>Humidity</b>	95% Maximum Non-Condensing
<b>Maximum Output Power</b>	14.4W
<b>Output Current</b>	300mA
<b>LED Series Voltage</b>	SELV, 16V to 48V DC. Quantity of LEDs dependant on Vf.
<b>Enclosure</b>	Black Polycarbonate UL94-V0, IP20
<b>Dimensions</b>	49mm (width) x 35mm (height) x 150mm (length)
<b>Minimum Cut Out</b>	Ø 50mm
<b>Fixings</b>	Fixing Centre 143mm, Ø4mm slot
<b>Output Connections</b>	3x (+) 3x (-) Screw Terminals for 0.5 to 2.5mm <sup>2</sup>
<b>Weight</b>	140g
<b>Standards (EC EMC and Low Voltage Directives)</b>	EN55015 EMC Emission, EN61547 EMC Immunity, EN61000-3-2 Class C Harmonics, EN61000-3-3 Voltage Fluctuation and EN61347-2-13 Electrical Safety