



CONTROLLING THE FUTURE OF LIGHTING

▶ TP-10-06 SPECIFICATION SHEET

Tiger Power Units offer simple scene setting lighting control in a standard, compact, quick to install, contractor friendly package which can be configured and programmed onsite by the installer or end user without the need for specialist programming tools or training. Available in four different circuit and power configurations, units can be linked together creating flexible lighting controls for restaurants, bars, spas, boardrooms, theatres and offices.

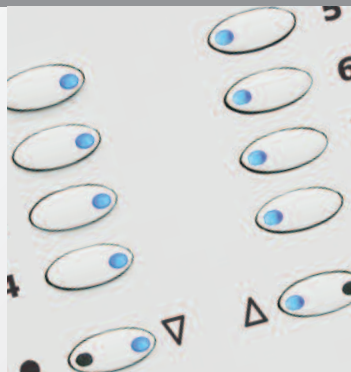
▶ PRODUCT INFORMATION

- ▶ 6 x 10A Dimmable Power Unit.
- ▶ THREE PHASE or Single Phase Power Supply.
- ▶ DIN RAIL Mounted Wiring Terminals.
- ▶ MINIATURE Circuit Breaker Protection.
- ▶ LEADING Edge Dimming Control.
- ▶ SWITCHING and 1-10V Dimming.
- ▶ SCENE Setting Control.
- ▶ DMX512 and RS232 Digital Control
- ▶ COOL OPERATION Under Full Load.
- ▶ ALARM or Emergency Override.
- ▶ ANALOGUE Control Inputs.
- ▶ COMPLIES with EC EMC and Low Voltage Directives (CE).
- ▶ MODE products are guaranteed for two years.



▶ TIGER SYSTEMS

Tiger Systems comprise of high power units configurable for dimming and switching operation, which are controlled using simple push button control plates. Tiger Units can be linked together to create systems of up to 99 circuits which can be controlled as 10 separate areas, including partitioning facilities for ballrooms and boardrooms.



CONTROLLING THE FUTURE OF LIGHTING

Mode Lighting (UK) Ltd.
The Maltings, 63 High Street,
Ware, Hertfordshire, SG12 9AD,
United Kingdom.

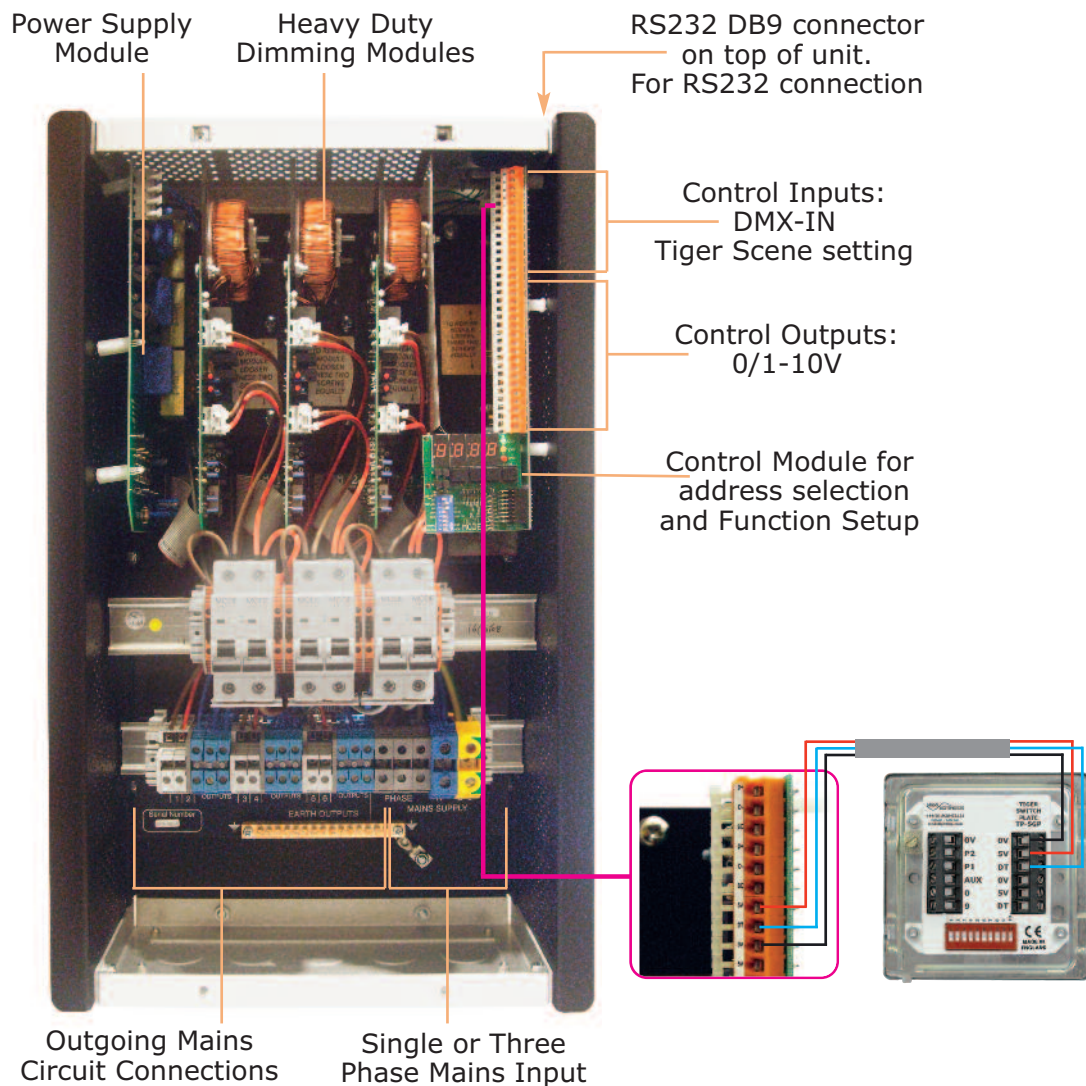
Tel: +44 (0) 1920 462121
Fax: +44 (0) 1920 466881
email: sales@modelighting.com
www.modelighting.com

LONDON

DUBAI

HONG KONG

INTERNAL WIRING



INSTALLATION NOTES

MODEL	TP-10-06
Input Voltage	200-250 Volt 50-60 Hz. Single or Three phase options
Input Current	Up to 60A SPN or 20A TPN
Control Fuse	20mm x 5mm 500mA HRC Ceramic Fuse (3)
Circuit Outputs	6 x 10 amp resistive (9 amp inductive)
Output Type	Leading Edge Dimming, switching and 1-10V output
Circuit Protection	Individual 10 amp Type C Miniature Circuit Breaker
Control Input	TIGER Scene Setting, RS232, DMX, 0-10V

MODEL	TP-10-06
Conduit Entries	Base entry. Five 32mm couplers or removable panel.
Dimensions	H 534 mm x W 322 mm x D 160 mm.
Fixing Centres	H 452 mm x W 302 mm.
Weight	11 kgs.
Packed Size	H 600 mm x W 400 mm x D 240 mm.
Packed Weight	12 kgs.
Standards	EMC Emissions EN55014, EMC Immunity EN61547, Voltage fluctuation EN61000-3-3, Safety EN60439-1 and EN60950

For full details on the installation and programming of Tiger Systems please refer to the full Installation and scene setting programming guides available online at www.modelighting.com

COMPANY BACKGROUND

Mode Lighting work closely with Lighting Designers, M & E Consultants, Architects, Quantity Surveyors, Developers, Electrical Contractors and Multi Media Specialist installers to ensure the right solution is provided for each individual project. Products designed and manufactured by Mode Lighting include control systems, electronic transformers, cold cathode convertors and LED components. Nearly 40 years of experience in these areas has lead to the creation of a network of satellite offices, distributors and dealers providing localised sales and technical support to clients worldwide.

DS198 - V1