

Remote Outstations

RDS1R/10/GRID



- SINGLE CHANNEL rotary controller.
- CONTROLS 1- 10V HF fluorescent ballasts and Mode slave power units.
- TWO WAY mains rated switching facility.
- MK grid format.
- COMPLIES with EC EMC and Low Voltage Directives (CE).
- MODE products are guaranteed for two years.



TECHNICAL DATA

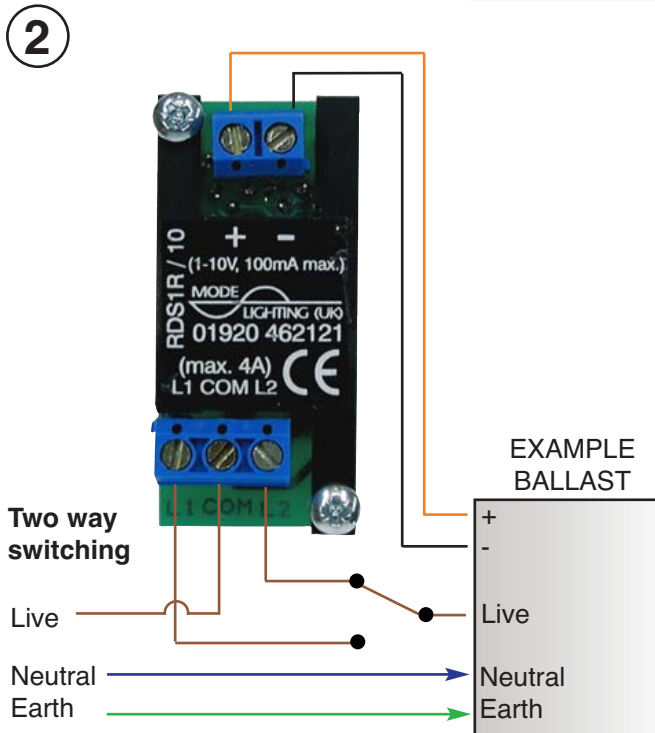
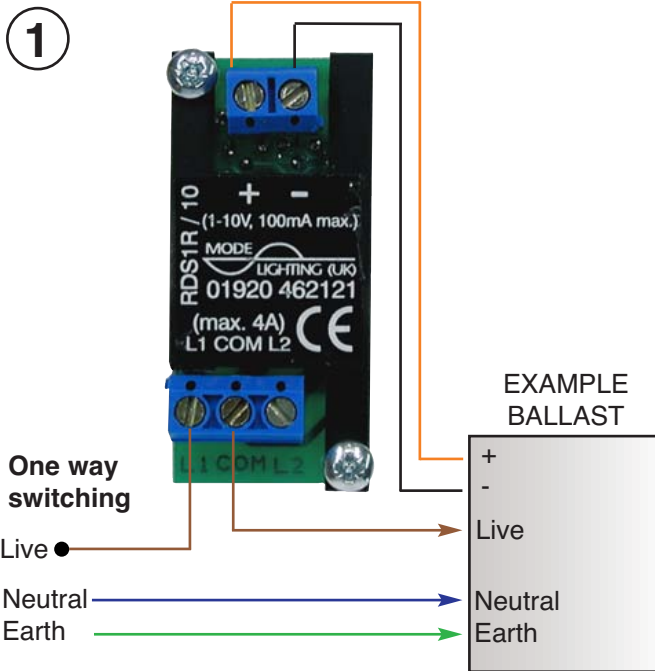
	RDS1R/10/GRID
Switch Rating	240 Volt - 4 Amp - 2 way switch.
Control	Suitable for 1-10 Volt DC sink controlled loads.
Dimensions	60 mm x 25 mm (Rear depth 30mm).
Finish	White
Packed Size	95 mm x 95 mm x 50 mm.
Packed Weight	0.42 kgs.

DESCRIPTION

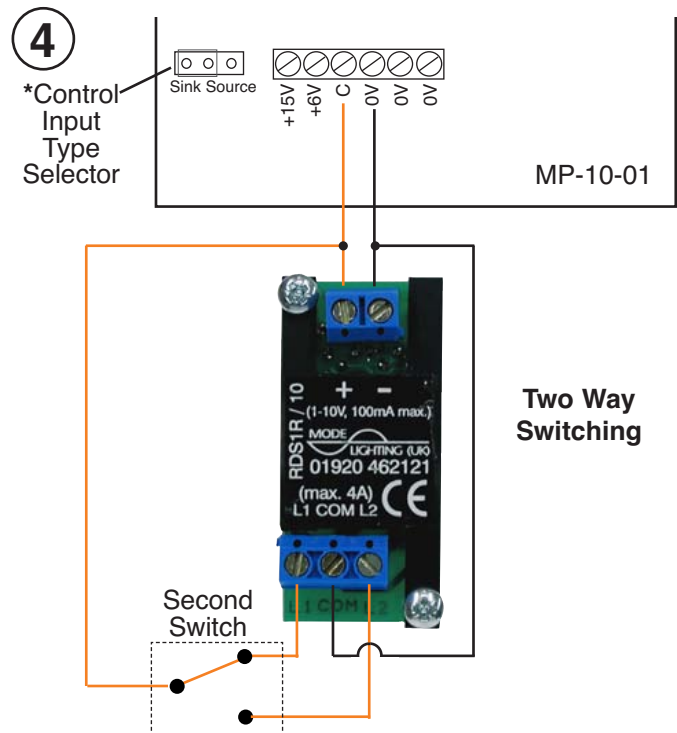
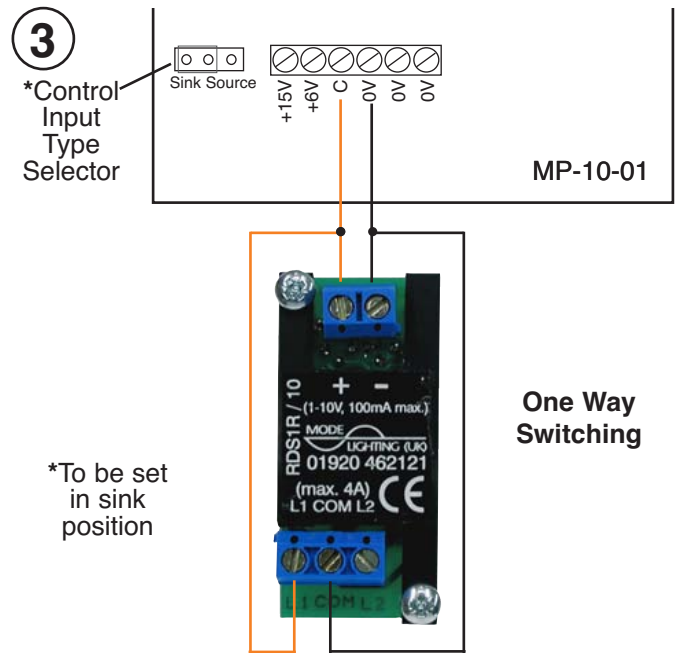
The RDS1R/10/GRID module is designed for the simple, reliable operation of 1-10v controllable loads, i.e. fluorescent lighting, or Mode slave power units.

RDS1R/10/GRID DETAILS

Fluorescent Control Wiring



Dimmer Pack Low Voltage Control Wiring



The 15K resistor supplied with the RDS1R/10/GRID is only required when controlling Mode dimmable power units MP-10-04 and MP-06-08. Please contact the Mode Lighting technical department for details.

COMPANY SUMMARY

Mode was established in 1970 as an Original Equipment Manufacturer in Hertfordshire, England. Mode designs and manufactures electronic products principally for the lighting industry, initially supplying the discotheque market and more recently expanding into the architectural and cruise ship markets. Mode is a subsidiary of a privately owned Holding Company and has four associated electronic companies who together trade as "The Mode Group".