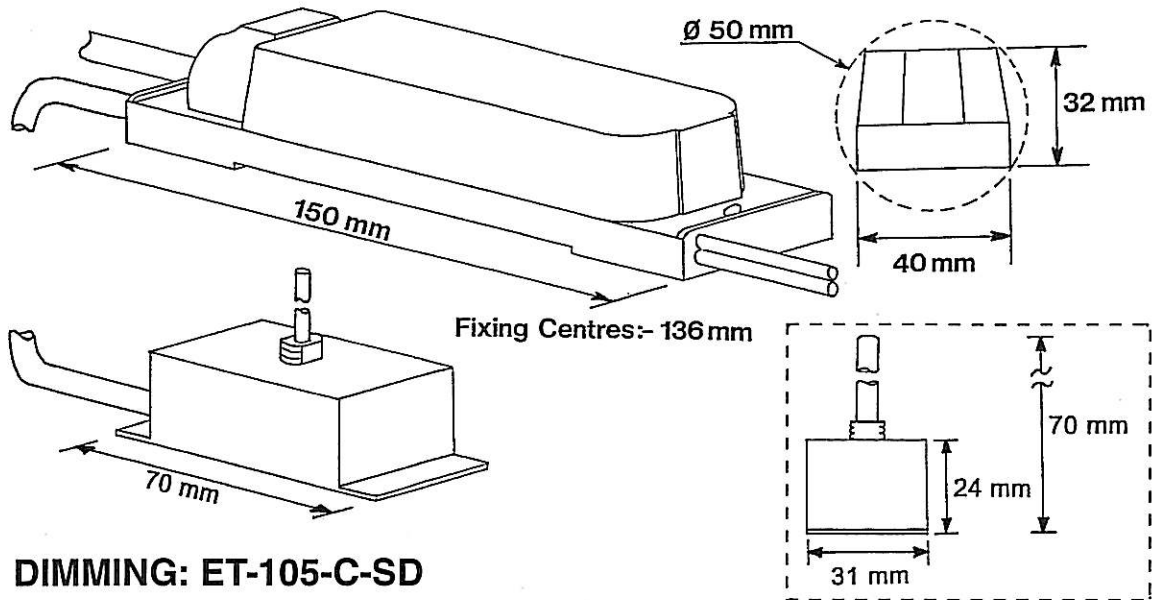


MODE LIGHTING (UK)



DIMMING: ET-105-C-SD

This self-dimmable model is designed to provide control of the lamp load between 10% and 100% through a pre-wired, boxed potentiometer with a 0.8 metre cable. If further remote dimming is required, only hard-fired dimmers should be used.

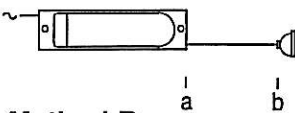
LAMP LOADING: 20 - 105 WATT (Maximum 105 watt)

1 to 5 x 20 watt
1 to 3 x 35 watt

1 to 2 x 50 watt
1 to 2 x 42 watt

1 x 75 watt
1 x 100 watt

Method A



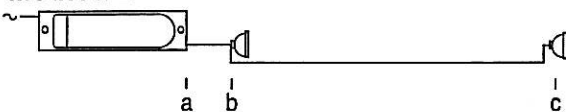
Wire Length

Wire Size

ab = 0.3m max.

Fitted

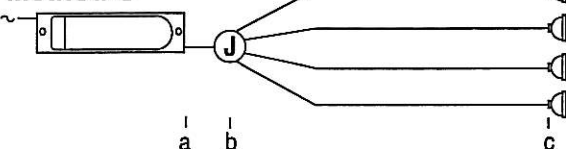
Method B



ab = 0.2m max.
bc = 1.5m max.

Fitted
1.5 mm²

Method C



ab = 0.2m max.
bc = 1.5m max.
J = Junction.

Fitted
1.5 mm²

Installation should be in accordance with the relevant National Wiring Regulations and other applicable Regulations. Compliance to the EC EMC and Low Voltage Directives may be invalidated if not used or installed according to the published specification.

Electronic Transformers operate at high frequencies. The output voltage cannot be measured on a standard voltmeter. The output leads should not be separated by more than 10mm and should be kept to a minimum length to achieve optimum regulation and EMC suppression. Electronic Transformers are not recommended for parallel rod or tensioned wire lighting systems. Observe dimmer manufacturer's recommended load ratings. Electronic Transformers should be located in well ventilated areas and should not be covered or enclosed by insulating materials. This self-dimmable model includes a pre-wired dimmer control at mains voltage potential.

MODE LIGHTING (UK)

PRODUCT

ET-105-C-SD

Input	Voltage Current Power Factor Frequency Cable	220v, 230v, 240v 0.5 amp maximum 0.99 DC or 50/60 Hz 0.75mm ² x 0.8m
Output	Voltage Current Power Frequency Cable	11.8v RMS nominal 8.8 amp maximum 20 to 105VA 40KHz 1mm ² x 0.3m
Efficiency		96% (typical)
Regulation		3.4% 400mv with 100mm output leads
Isolation		4240 volt to EN 60065
Temperature	Ambient Case	-20°C to +60°C max +90°C max
Dimensions		150 x 40 x 32mm
Fixing Centres		136mm
Weight		220g
Protection	Short Circuit Overload Thermal	Auto-reset Auto-reset Auto-regulating
Fusing	Primary Secondary	Fusible PCB link None required
Earth Connection		None. Class II
EMC Emission		EN 55015
EMC Immunity		EN 50082-1
Harmonics		EN 61000-3-2
Safety		EN 61046
Case Material		Flame retardant to UL94 - V0



Complies with EC, EMC and Low Voltage Directives.

Use with low voltage lighting (12 Volt).

Construction to EN 60065 Class II.

Safety isolating transformer,
inherently short circuit proof.

Independent converter.

For mounting on flammable surfaces.