

Coolbrium Touch Plate



The lighting within an installation can be manually controlled by a multi-button Control Plate.

The Coolbrium Touch Control Plate provides eight configurable “buttons” allowing scene recall, impulse and toggle and two multi-function buttons providing On & Raise and Off & Lower with integral IR receiver. All “buttons” have integral RGB LED’s for backlighting of the engraving and are colour selectable to assist with button functionality.

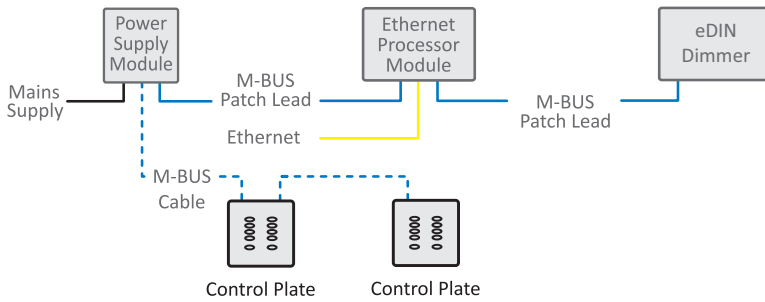
The eDIN Control System from Mode Lighting allows individual modules to be selected to create the desired lighting system. From simple stand-alone systems for individual rooms, to a fully connected and integrated multi-room system, eDIN modules can adapt to suit the project requirements.

Key Features

- » Single gang plate
- » Screwless fascia plates utilising the MK Aspect range
- » Available in either black or white glass as standard
- » Multi-function button action - scene recall, raise/lower, impulse and toggle control available
- » Indicator LED’s with seven user selectable RGB colours and intensity. Red, Green, Blue, Magenta, Cyan, Orange and White.
- » Two volt-free contact switch inputs - Individually addressable and configurable
- » Other finishes available on request
- » 2 year warranty

COOLBRIUM
BY MODE

System Architecture



Installation Notes

Power	
Power Supply	» 24V (from data line)
Connections & Cable Specifications	
M-BUS	» Fast, flexible installation using M-BUS Cable
Configurable I / O	» 1mm ² Rising Clamp Screw Terminals » Any mains rated cable (e.g. 1mm ² 2 Core)
Mechanical	
Fascias Finishes	» Black Glass » White Glass
Dimension	» 87mm Wide x 87mm High x 25mm Deep



Mode Lighting Limited. The Maltings, 63 High Street, Ware, Hertfordshire, SG12 9AD. United Kingdom.
 Tel: +44 (0) 1920 462121 | Fax: +44 (0) 1920 466881 | Email: sales@modelighting.com | www.modelighting.com