

Universal Ballast Module



The Digital Addressable Lighting Interface (DALI) Ballast Module is an ultra-compact DIN rail mounted unit with connections for a DALI Universe, configurable inputs-outputs and an M-BUS network.

Using DALI, you can connect up to 64 luminaires through a single power and data connection whilst retaining individual control. This is complimented with four additional channels of configurable I/O.

The DALI Ballast Module can be used in standalone mode where it can be set-up directly via the on-board keypad and display driven menu system and the intelligent DALI setup assistant without the need for a PC.

As part of a wider networked solution, DALI Ballast Modules can be configured to operate as part of an EcoControls fully addressable lighting management system.

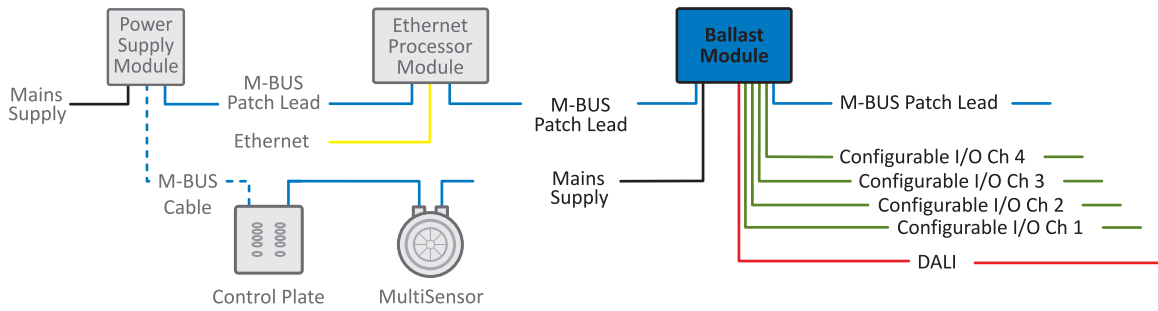
Key Features

- » Integral 250 mA DALI standard PSU
- » DALI short circuit and overload protection
- » M-BUS to a range of field based Control Devices such as MultiSensors, Switch Input Units, LCD and Multi-button Control Plates, Blind Controllers and RS-232 Audio Visual Interface
- » Intelligent standalone mode providing DALI Group control and four channels of configurable I/O programmed from the menu driven display and keypad
- » Configurable I/O provides connections for Scene Recall Switches, Impulse Switches, 0/1-10V and DSI lighting circuits
- » LED Status Indication for field connected control wiring and devices
- » Installer pre-commission testing via the on-board keypad and display
- » Non-volatile flash memory
- » The modules provide a flexible solution for bespoke panel design to suit any application and installation constraints
- » 2 year warranty

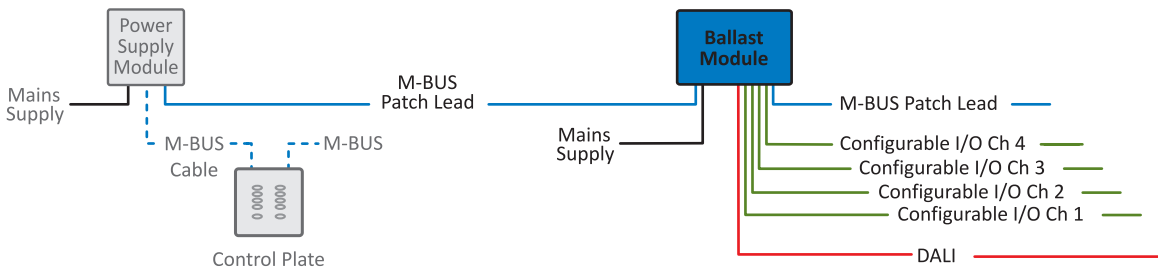


System Architecture

Networked



Standalone



Technical Data

Power		
Mains Supply		<ul style="list-style-type: none"> » 90-264V AC 50 / 60 Hz single phase » Locally isolated via an unswitched fused spur 3 A maximum » No current draw from M-BUS
Connections & Cable Specifications		
M-BUS	(1qty)	<ul style="list-style-type: none"> » 24V DC for M-BUS devices » Fast, flexible installation using M-BUS Patch Leads » Safety Extra Low Voltage (SELV)
DALI	(1qty)	<ul style="list-style-type: none"> » Integral 250 mA DALI standard PSU » Short circuit and overload protection
Configurable I/O (Input/Output)	(4qty)	<ul style="list-style-type: none"> » Input: Volt-free contact <ul style="list-style-type: none"> : 0/1 - 10V : DSI » Output: 0/1 - 10V (typically 25 ballast) <ul style="list-style-type: none"> : DSI (typically 25 ballast)
Mechanical & Standards		
Material		» Extruded aluminium case
Dimension		» 104mm Wide x 100mm High x 64mm Deep
Weight		» 0.35Kg
Module size for DIN enclosure		» 6 Module (6M)

